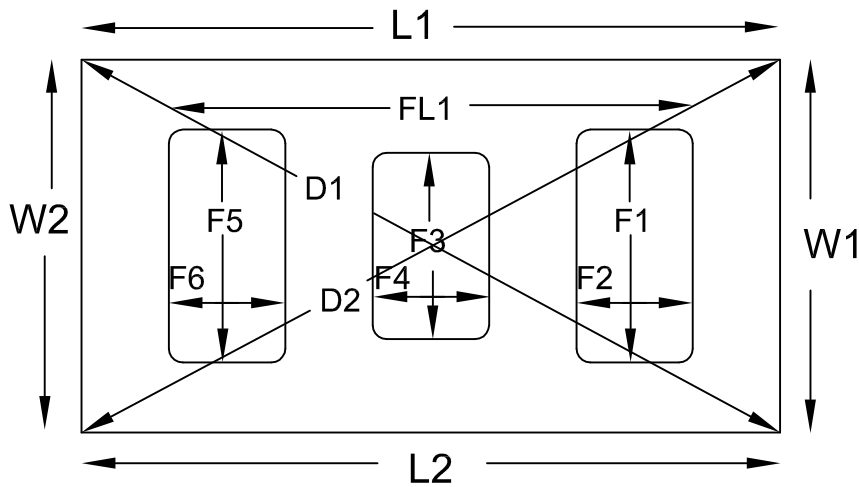
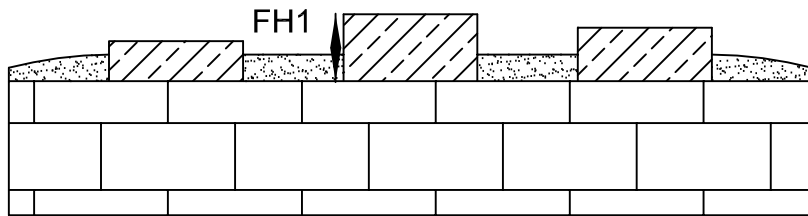


# Reliance Mfg, Chimney Cap Measuring Guideline Sheet

1. Job, Project, Or Customer Name \_\_\_\_\_
  2. Quotation Or Order \_\_\_\_\_
  3. Custom Chimney Cap Material Type \_\_\_\_\_
  4. Side Drop Height Other Than Std. (Std Is 3") \_\_\_\_\_
  5. Screen Height Other Than Std. (Std Is 7") \_\_\_\_\_
  6. Special Notes, Description, Or Critical Dimensions \_\_\_\_\_
7. Reliance Adds 1/4" To All Length And Width Dimensions Unless Specified.



If L1, L2 and or W1, W2 don't match by more than 3/8" Diagonal dimensions will be needed.



**\*Note\*** Indicate The Tallest Flue Height!

#### Perimeter Dimensions.

1. Length (L1) \_\_\_\_\_
2. Width (W1) \_\_\_\_\_
3. Length (L2) \_\_\_\_\_
4. Width (W2) \_\_\_\_\_

#### Diagonal Dimension If Needed.

1. Diag (D1) \_\_\_\_\_
2. Diag (D2) \_\_\_\_\_

#### To Flue Edge Dimension.

1. Flue (F1) \_\_\_\_\_
2. Flue (F2) \_\_\_\_\_
3. Flue (F3) \_\_\_\_\_
4. Flue (F4) \_\_\_\_\_
5. Flue (F5) \_\_\_\_\_
6. Flue (F6) \_\_\_\_\_

#### Flue Height Dimension.

1. FH1 \_\_\_\_\_

Several things need to be addressed in ordering a special chimney cap.

Do you want it to fit over the existing chimney?

Do you want to go only around the tiles and attach to the mortar?

Or do you want to fit around the tiles?

Each option has advantages. Most common is to fit over the entire chimney, but the overall size is much larger than the other options, but it does offer the most in weather protection.

Things to think about in measuring. You need around 5 inches of clearance from the tallest flue to the lid. This may require a taller screen, the standard screen height is 7".

You need to make sure you have good solid mounting to keep the cap in place. This may require a taller side skirt, the standard is 3".

If you want the cap to fit the tiles only you need to give accurate sizing, it gets more complicated if the tiles sizes are not in line or sized differently.

Do the tiles actually stick up and how much, or is it flush to the top of the crown?

Can Standard size caps fit, or is there a question if there is enough space between the flues for standard caps to fit.

There are no two exactly built the same masonry fireplaces. They are all pretty much custom, care must be taken to look at all of the details.